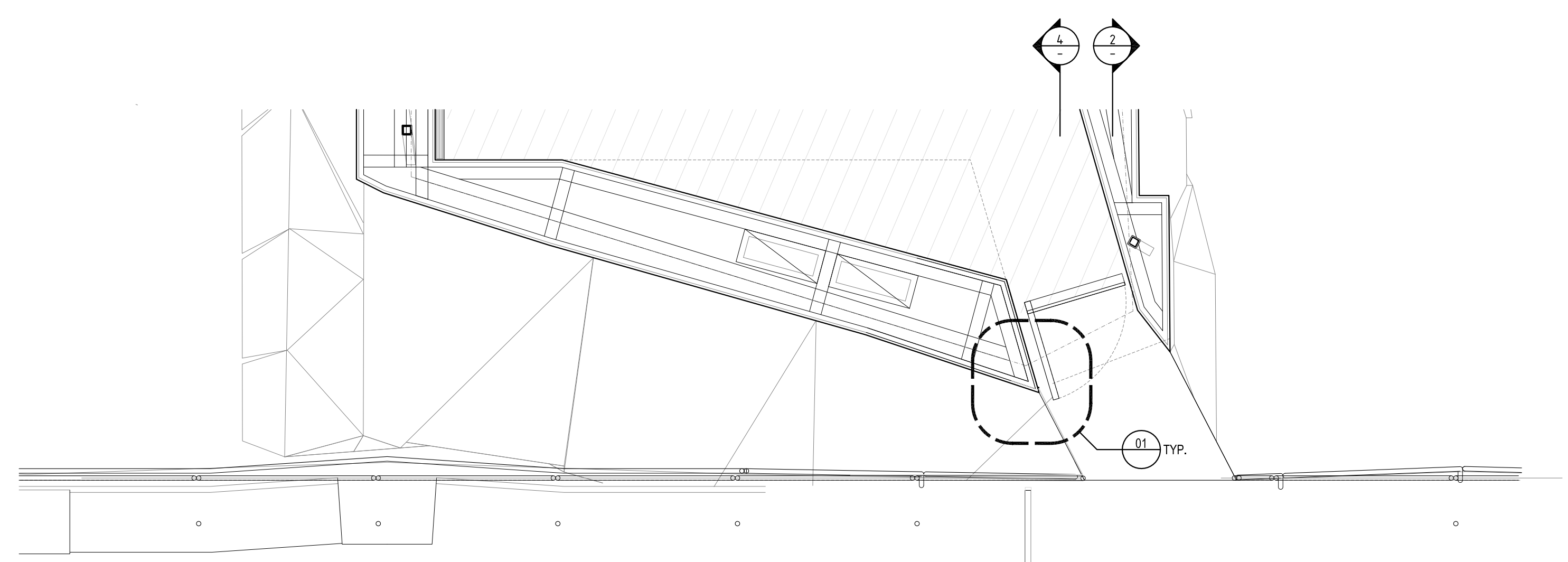


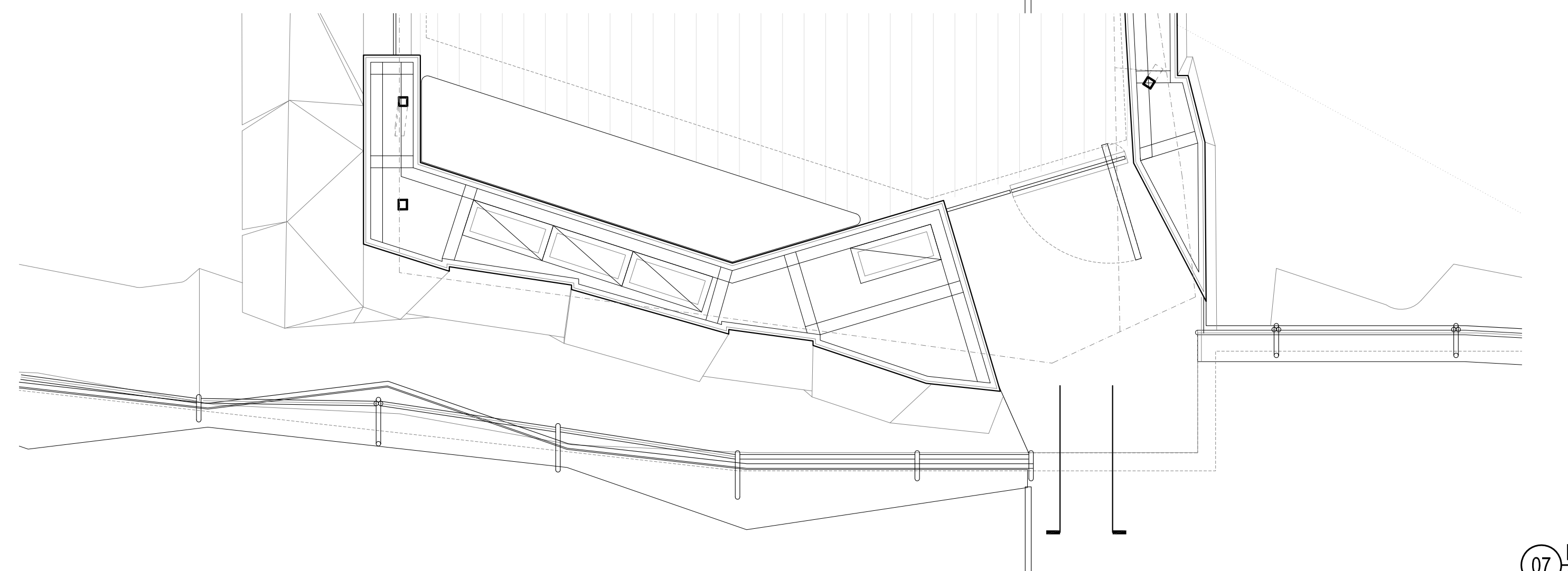
THIS DRAWING IS AN UNCONTROLLED COPY UNLESS STAMPED OTHERWISE

CONTRACTORS SHALL VERIFY JOB DIMENSIONS BEFORE ANY JOB COMMENCES. ALL SHOP DRAWINGS SHALL BE SUBMITTED TO THE SUPERINTENDENT AND MANUFACTURE SHALL NOT COMMENCE PRIOR TO THE RETURN OF FINISHED SHOP DRAWINGS SIGNED BY THE CONSULTANT. FINISHED DIMENSIONS SHALL TAKE PRECEDENCE OVER SCALED. THIS DRAWING SHOULD BE READ IN CONJUNCTION WITH ALL RELEVANT CONTRACT SPECIFICATIONS AND DRAWINGS COPYRIGHT OF THIS DRAWING IS VESTED IN WARDLE

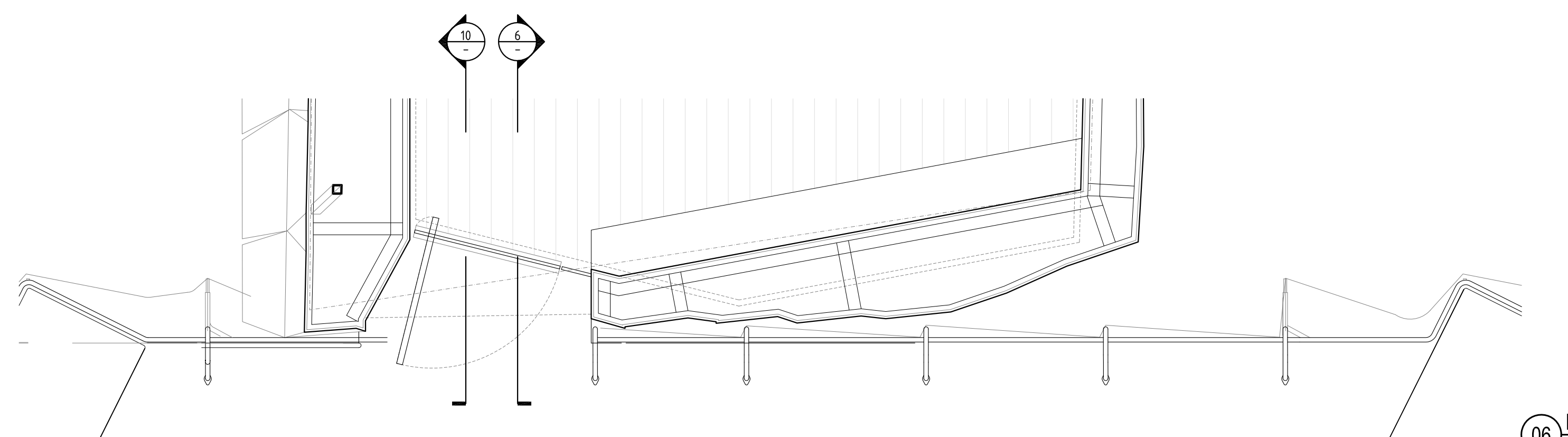
General Notes
 01. SEE MESH ENGINEER DRAWINGS FOR ALL SS MESH AND CABLE CONNECTION DETAILS, INCLUDING CLAMPS, BRACKETS, TURN BUCKLES STUDS CLEATS ANCHORS AND ENDSTOPS.
 02. SEE STRUCTURAL FOR ALL CONNECTIONS TO CONCRETE POCKETS



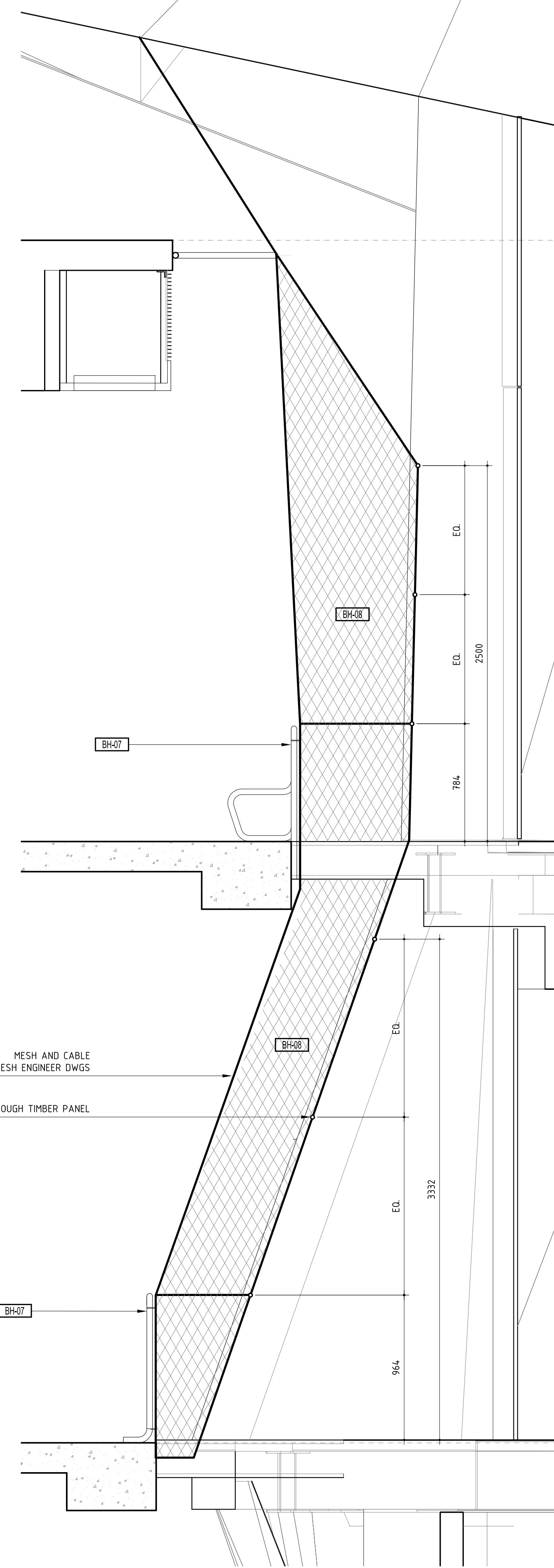
08 L04 BRIDGE PLAN
SCALE 1:10



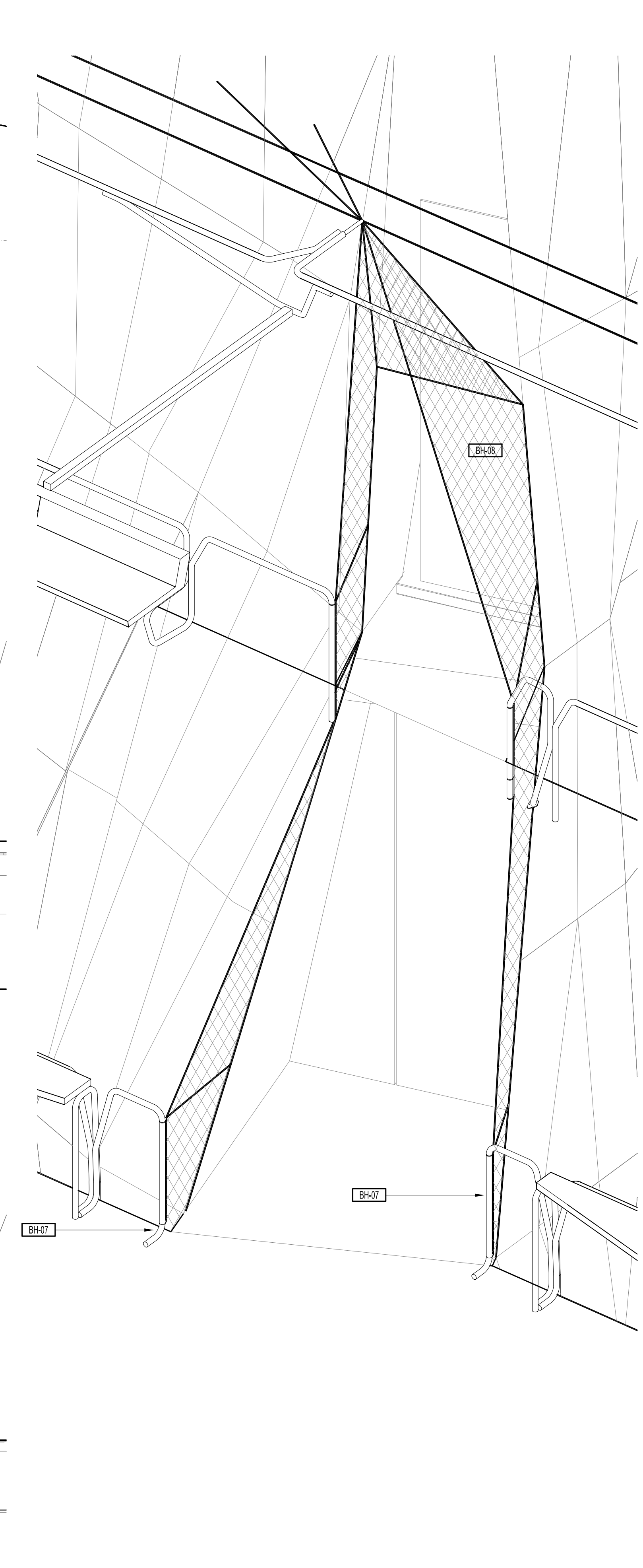
07 L03 BRIDGE PLAN
SCALE 1:10



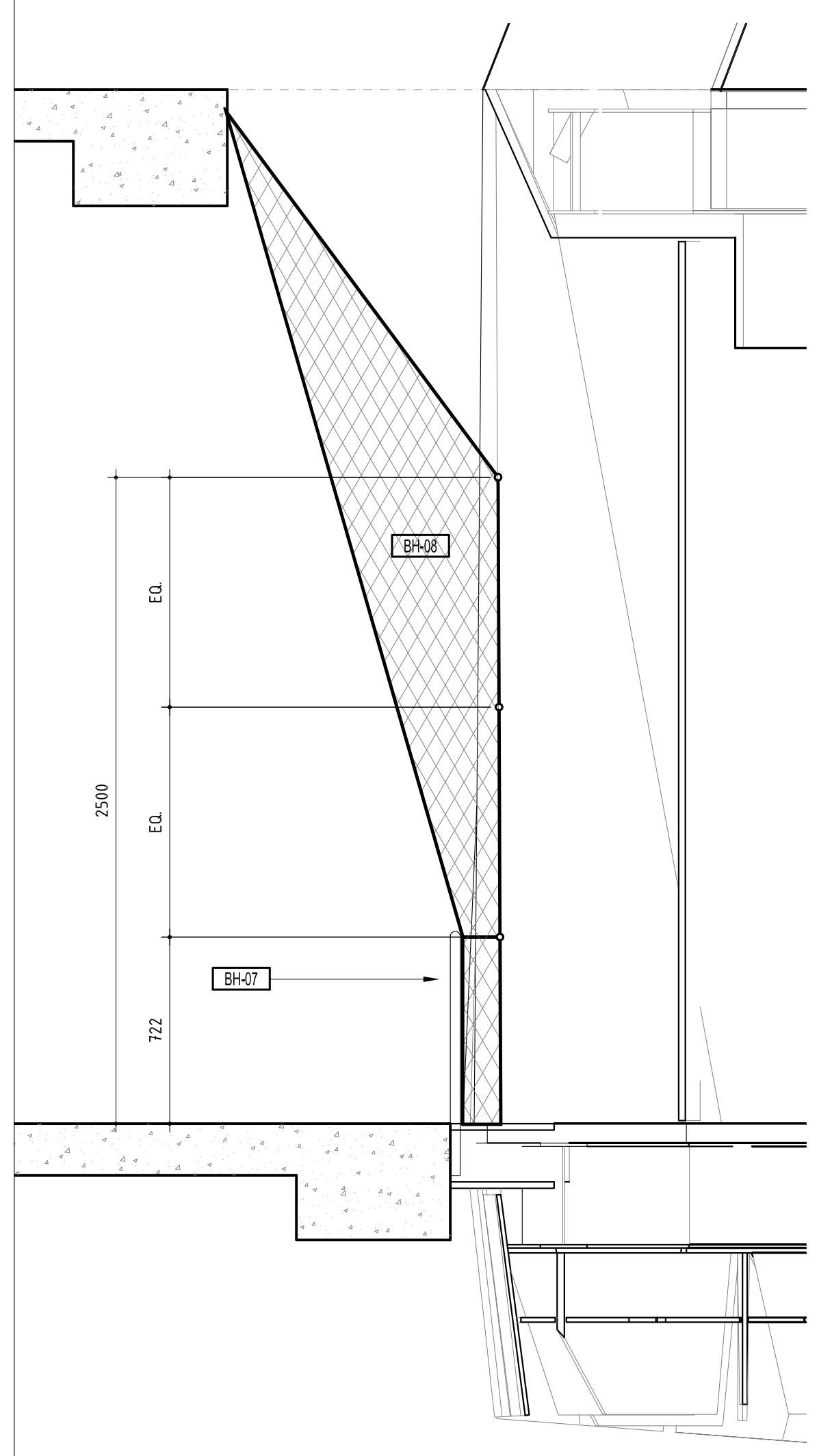
06 L02 BRIDGE PLAN
SCALE 1:10



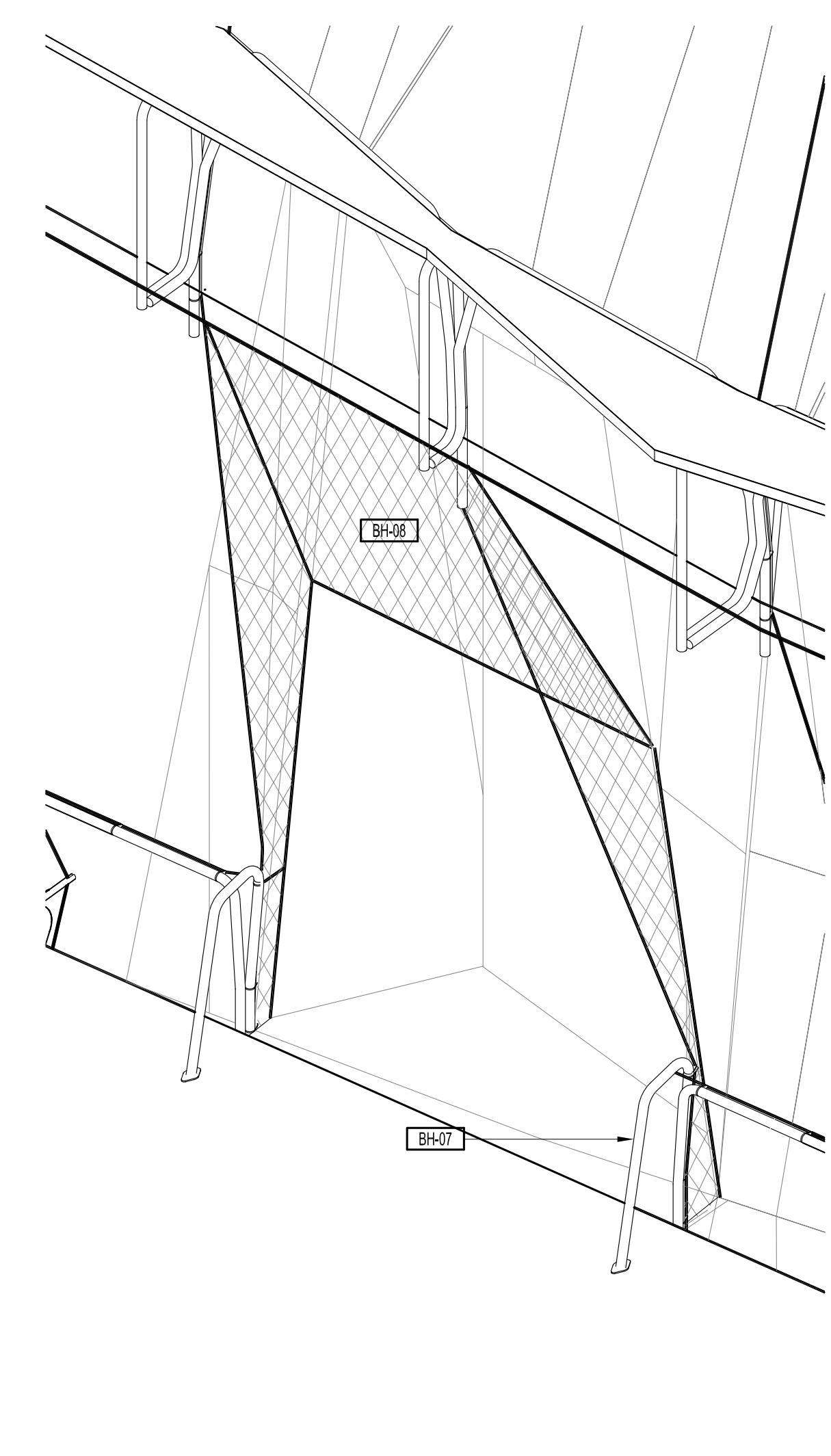
04 L03 04 MESH EAST ELEVATION
SCALE 1:10



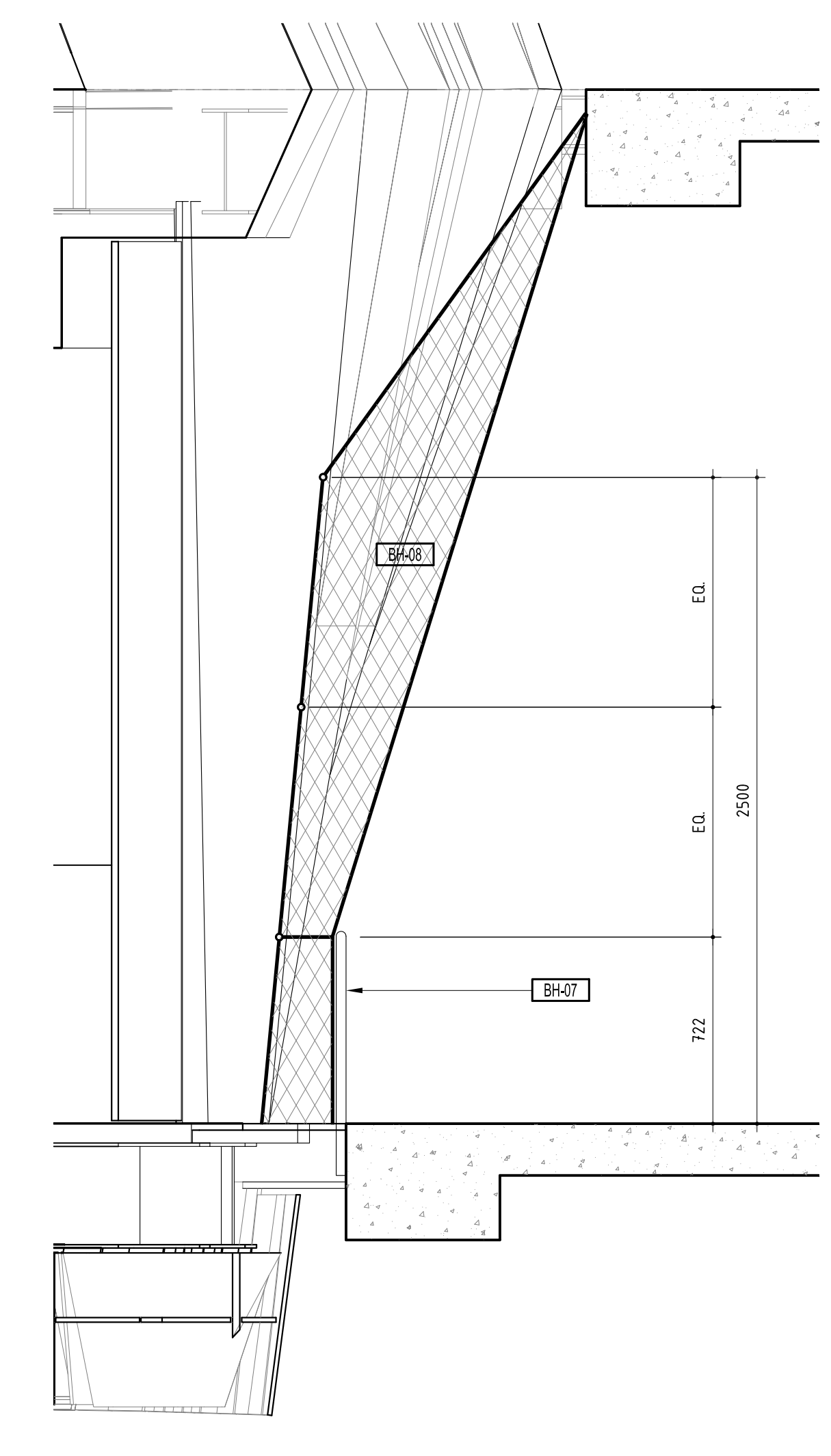
02 L03 04 MESH WEST ELEVATION
SCALE 1:10



10 L02 MESH EAST ELEVATION
SCALE 1:10

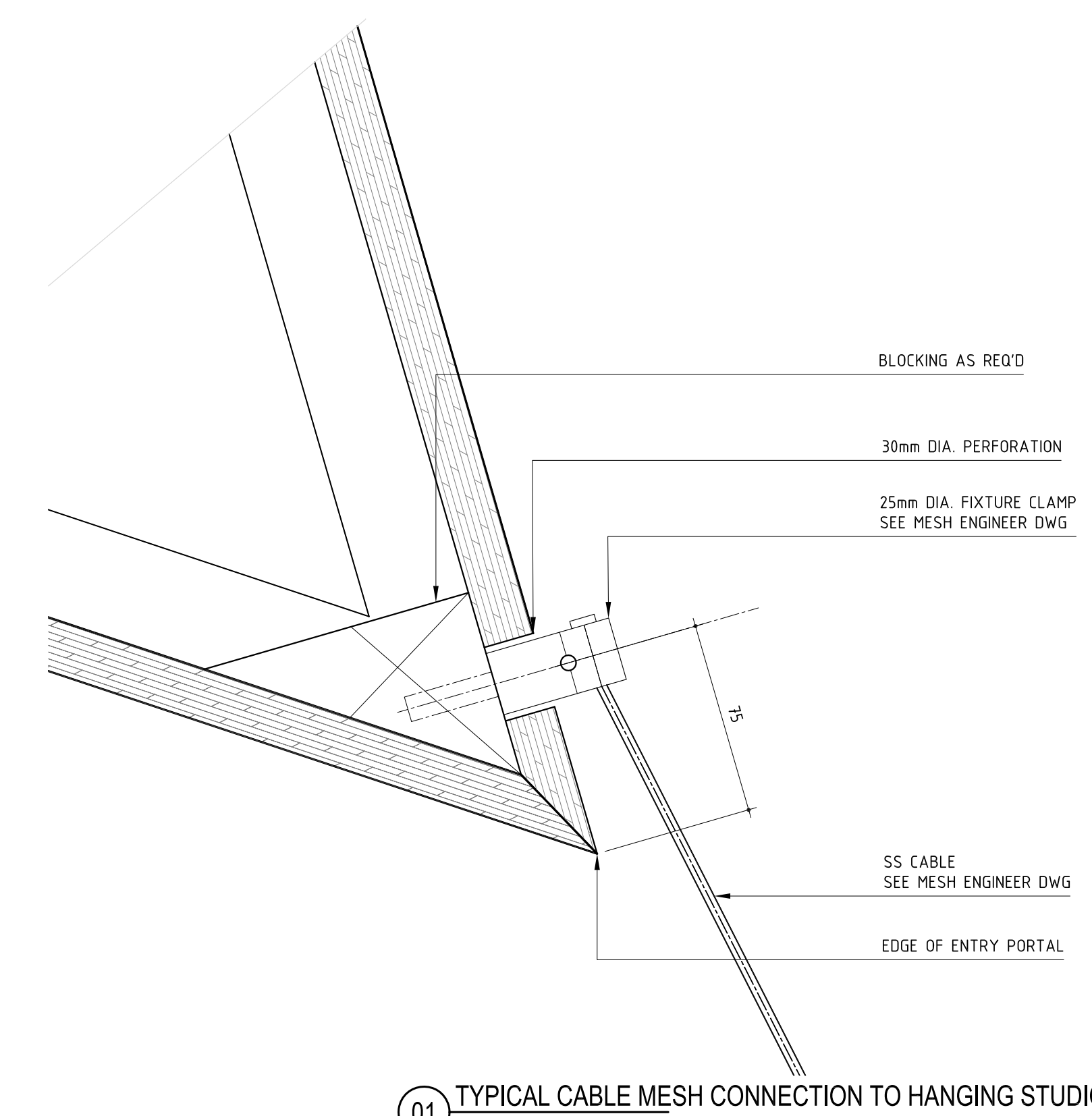


09 AXON L02 HANGING STUDIO MESH CONNECTION
SCALE 1:10



05 L02 MESH WEST ELEVATION
SCALE 1:10

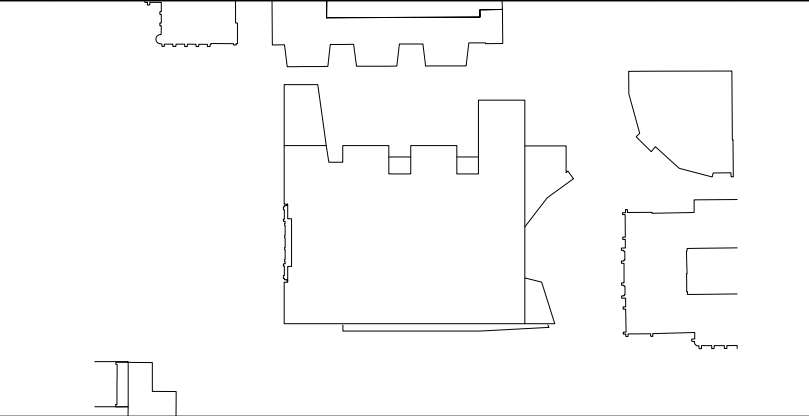
03 AXON L03 04 HANGING STUDIO MESH CONNECTION
SCALE 1:10



01 TYPICAL CABLE MESH CONNECTION TO HANGING STUDIO
SCALE 1:10

MESH AND CABLE SIZE PER MESH ENGINEER DWGS
 CABLE FIXING THROUGH TIMBER PANEL

Rev	Issue	Revision Description	Amd	Date
A	SG	CONSTRUCTION ISSUE	-	03.01.14
03	JC	100% CD - TENDER RE-ISSUE	-	11.09.12
02	JC	100% CD - TENDER RE-ISSUE	-	07.09.12
01	JC	80% CD ISSUE	-	10.08.12
THIS SHEET WAS PREVIOUSLY AR5060				



NADAAA

NADAAA
 1302 Washington Street No.2
 Boston Massachusetts
 02118 USA
 Telephone +1 617 442 8232
 Facsimile +1 617 442 1417
 Email nads@nadaaa.com

John Wardle Architects

© 2011 John Wardle Architects
 Level 10, 180 Russell Street, Melbourne Victoria 3000 Australia
 Tel : +613 9654 8700 www.johnwardlearchitects.com

Client **University of Melbourne Parkville Campus**

Project **Faculty of Architecture Building and Planning**

Title **MESH BALUSTRADE HANGING STUDIO CONNECTION**

Project No. **0913** Scale **AS NOTED**
 Drawing No. **AR5062** Revision **A**

Date JAN 2014 Dwn - Co-Ord - Chk -

FILENAME: ###

FOR CONSTRUCTION